

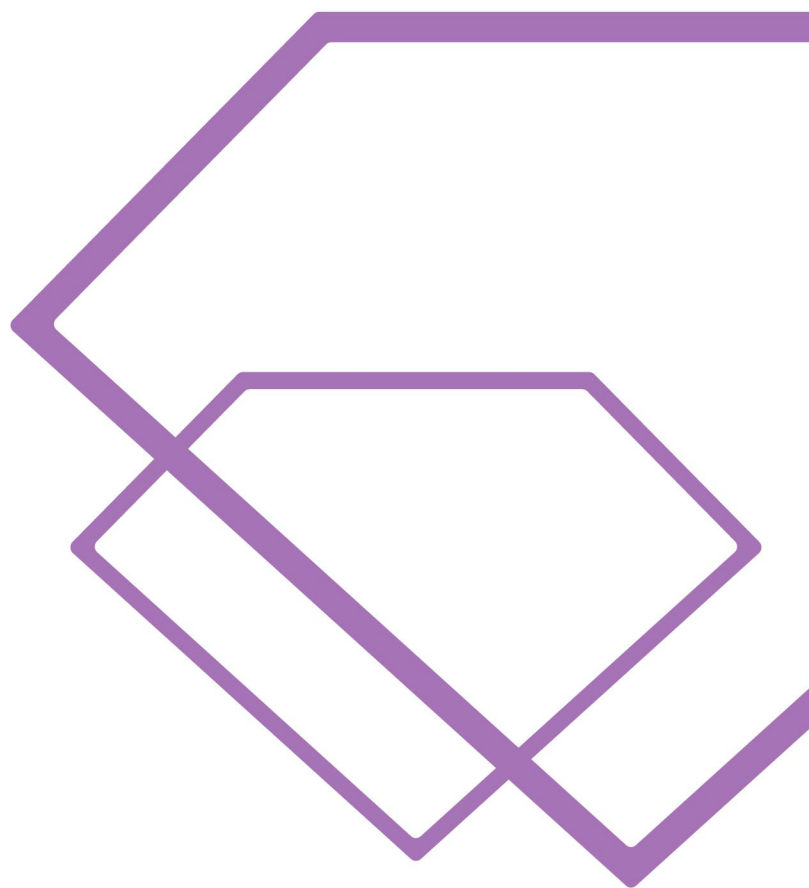
中国高端电脑缝纫机

CHINESE HIGH-END COMPUTERIZED SEWING MACHINE

HIKARI® 富山

零件手册

PARTS BOOK



HK2900 系列  
Series

电脑直驱套结机

COMPUTER BAR-TACKING MACHINE

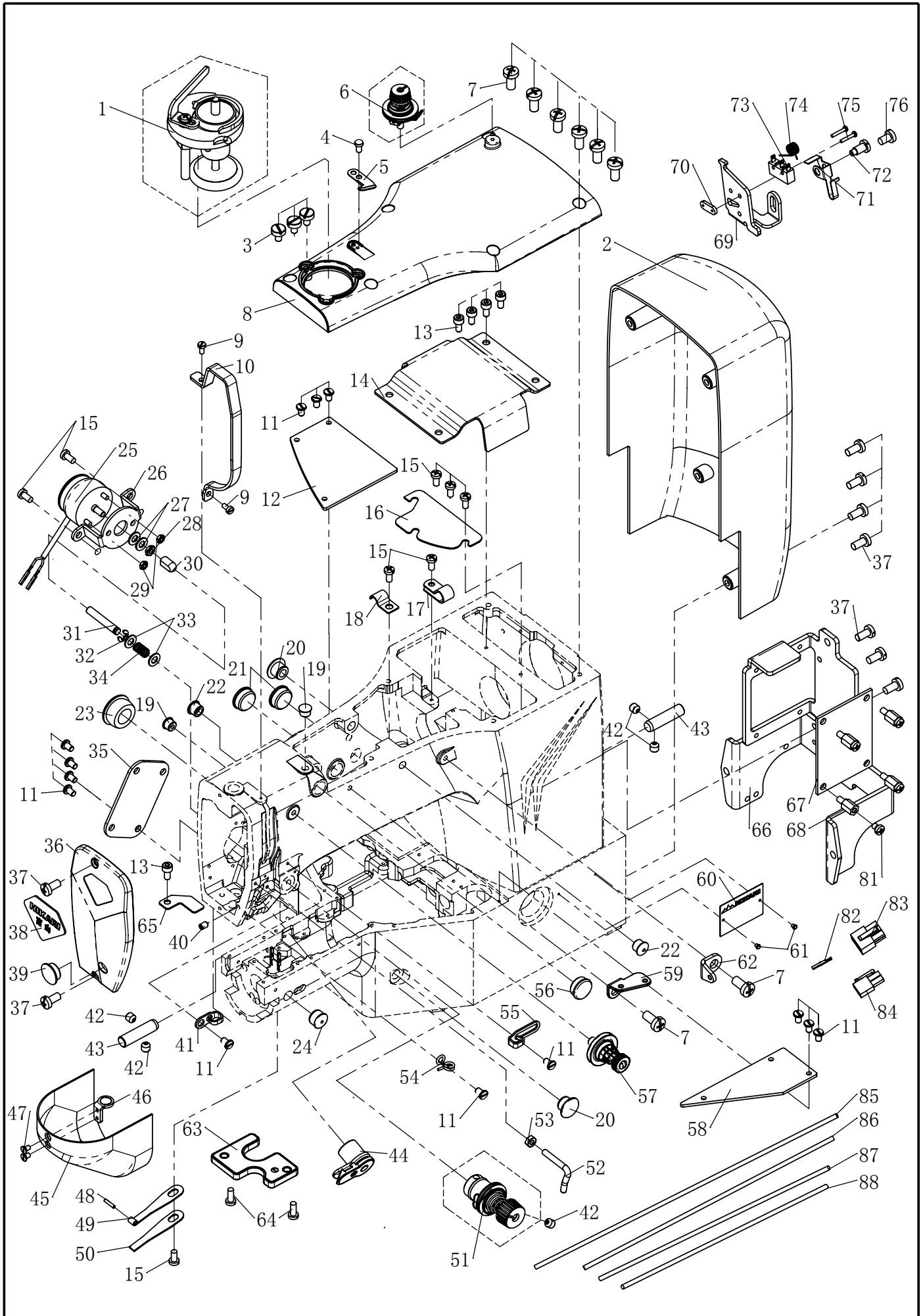
V1.00

# 目 录

## CONTENTS

|                                       |    |
|---------------------------------------|----|
| 1. 机壳部件.....                          | 1  |
| FRAME ASSEMBLY                        |    |
| 2. 上轴部件.....                          | 5  |
| CRANKSHAFT MECHANISM                  |    |
| 3. 拾压脚部件.....                         | 9  |
| PRESSER FOOT MECHNISM                 |    |
| 4. 下轴部件.....                          | 11 |
| CRANKSHAFT MECHANISM                  |    |
| 5. 剪线部件.....                          | 13 |
| THREAD TRIMMER MECHANISM COMPONENTS   |    |
| 6. 送料部件.....                          | 15 |
| FEED MECHANISM COMPONENTS             |    |
| 7. 附件.....                            | 17 |
| ACCESSORIE PART COMPONENTS            |    |
| 8. HK2903 专用件.....                    | 19 |
| EXCLUSIVE PARTS FOR HK2903            |    |
| 9. HK2903 专用附件.....                   | 23 |
| EXCLUSIVE ACCESSORIE PARTS FOR HK2903 |    |

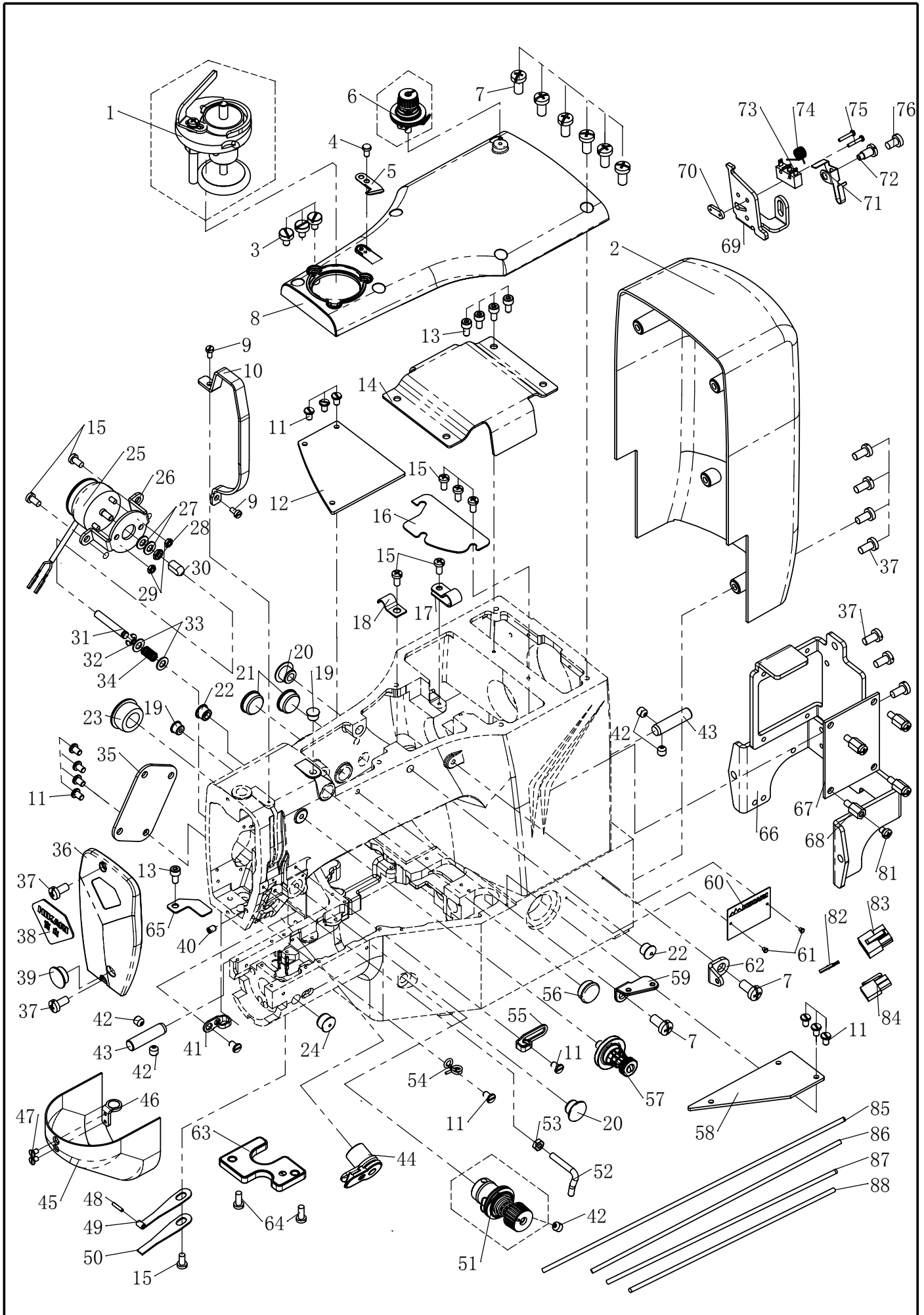
# 01. 机壳部件 FRAME ASSEMBLY



## 01. 机壳部件 FRAME ASSEMBLY

| 序号 | 图 号             | 名 称              | NAME OF PARTS                 | 数量 |
|----|-----------------|------------------|-------------------------------|----|
| 1  | 411.01-18-00    | 绕线器组件            | BOBBIN WINDER UNIT            | 1  |
| 2  | 411.01-06       | 后罩壳              | MOTOR COVER                   | 1  |
| 3  | 02-612320721-1  | 开槽圆柱头螺钉          | SCREW                         | 3  |
| 4  | 02-509400721-1  | 螺钉SM9 / 64"×40-7 | SCREW                         | 1  |
| 5  | 102.09-34       | 切刀               | KNIFE                         | 1  |
| 6  | 102.09-36       | 夹线器组件            | BOOBIN THREAD TENSION ASM.    | 1  |
| 7  | 01-406001223-1  | 十字一字槽螺钉 M6×12    | SCREW M6 L=12                 | 8  |
| 8  | 411.01-02       | 上盖               | UPSIDE COVER                  | 1  |
| 9  | 01-403000623-1  | 开槽圆柱头螺钉M3×6      | SCREW                         | 2  |
| 10 | 421.12-25       | 挑线杆护罩            | BALANCE COVER                 | 1  |
| 11 | 01-604000621-1  | 开槽薄帽螺钉M4×6       | SCREW                         | 13 |
| 12 | 411.01-08       | 左盖板              | BED COVER LEFT                | 1  |
| 13 | 01-504000824-1  | 内六角圆柱头螺钉M4×8     | SCREW M4 L=8                  | 5  |
| 14 | 411.01-05       | 大连杆罩             | CRANK ROD COVER               | 1  |
| 15 | 01-404000823-1  | 十字一字槽螺钉 M4×8     | SCREW M4 L=8                  | 8  |
| 16 | 411.01-07       | 遮尘板              | CRANK ROD UNDER COVER         | 1  |
| 17 | 331.18-22       | 气路管夹(中)          | CLAMP                         | 1  |
| 18 | 113.01-07       | 电线固定夹            | CORD HOLDER                   | 1  |
| 19 | 22-07405009     | 橡胶塞              | PLUG                          | 2  |
| 20 | 22-10507016     | 橡胶塞              | PLUG                          | 2  |
| 21 | 22-15505017     | 橡胶塞              | PLUG                          | 2  |
| 22 | 22-08506511     | 橡胶塞              | PLUG                          | 2  |
| 23 | 22-20809024     | 橡胶塞              | PLUG                          | 1  |
| 24 | 22-11505013     | 橡胶塞              | PLUG                          | 1  |
| 25 | 411.01-03       | 松线电磁铁            | AT SOLENOID                   | 1  |
| 26 | 411.01-04       | 松线电磁铁安装板         | AT PLATE                      | 1  |
| 27 | 411.01-17       | 防震垫圈             | WASHER                        | 2  |
| 28 | 03-604000220-1  | 六角螺母M4           | NUT                           | 1  |
| 29 | 03-603000240-3  | 六角螺母M3           | NUT                           | 2  |
| 30 | 411.01-19       | 松线电磁铁顶杆螺母        | NUT                           | 1  |
| 31 | 411.01-12       | 松线顶杆             | TENSION RELEASING             | 1  |
| 32 | 06-0400809-1    | E型挡圈4            | E-RING 4                      | 1  |
| 33 | 05-053101001-5  | 平垫圈              | WASHER                        | 2  |
| 34 | 411.01-13       | 复位簧              | SPRING                        | 1  |
| 35 | 411.01-09       | 松线电磁铁盖           | COVER PLANK                   | 1  |
| 36 | 411.01-10       | 面板               | FACE COVER                    | 1  |
| 37 | 01-404001023-1  | 十字一字槽螺钉 M4×10    | SCREW M4 L=10                 | 9  |
| 38 | H0-001          | 钻石型号牌            | MARK                          | 1  |
| 39 | 22-12505016     | 橡胶塞              | PLUG                          | 1  |
| 40 | 01-804000614-1  | 内六角凹端螺钉 M4×6     | SCREW M4 L=6                  | 1  |
| 41 | 421.12-27       | 挑线上过线钩B          | TAKE-UP THREAD GUIDE          | 1  |
| 42 | 01-806000614-1  | 内六角凹端螺钉 M6×6     | SCREW M6 L=6                  | 5  |
| 43 | 421.12-20-02    | 翻转轴              | HINGE STUD                    | 2  |
| 44 | 411.01-20-00    | 起针夹线器            | THREAD TUN SIN ASM.           | 1  |
| 45 | 421.12-09-01-00 | 梭盖组件             | CYLINDER ARM CAP              | 1  |
| 46 | 411.01-27       | 磁钢座组件            | ALNICO SEATING ASM            | 1  |
| 47 | 01-103000421-1  | 一字沉头螺钉M3×4       | SCREW M3 L=4                  | 2  |
| 48 | 421.12-09-03    | 摆梭罩压簧支架销         | HOOK COVER PRESSER SPRING PIN | 1  |
| 49 | 421.12-09-04    | 摆梭罩压簧A           | HOOK COVER PRESSER SPRING A   | 1  |
| 50 | 421.12-09-05    | 摆梭罩压簧B           | HOOK COVER PRESSER SPRING B   | 1  |
| 51 | 113.09-03       | 夹线器组件            | THREAD TUN SIN ASM.           | 1  |
| 52 | 421.12-29       | 缓线调节钩            | L_SHAPED_THREAD_GUIDE_A       | 1  |
| 53 | 03-604000320-3  | 六角螺母 M4          | NUT                           | 1  |
| 54 | 411.01-26       | 挑线下过线钩           | FRAME THREAD GUIDE            | 1  |

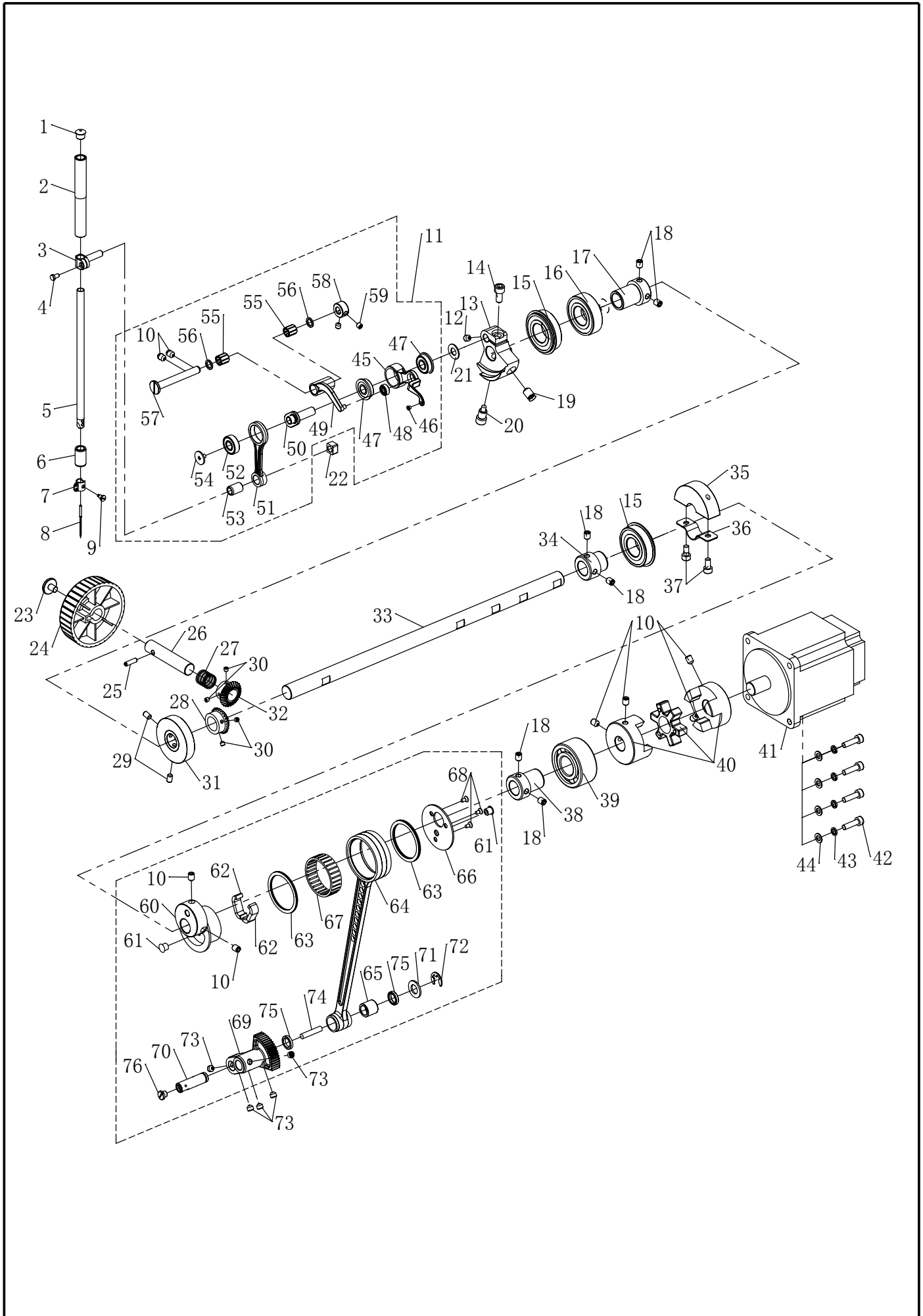
# 01. 机壳部件 FRAME ASSEMBLY



## 01. 机壳部件 FRAME ASSEMBLY

| 序号 | 图 号            | 名 称           | NAME OF PARTS                   | 数量 |
|----|----------------|---------------|---------------------------------|----|
| 55 | 421.12-30      | 右线钩           | ARM THREAD GUIDE                | 1  |
| 56 | 22-14505016    | 橡胶塞           | PLUG                            | 1  |
| 57 | 421.07-17-00   | 上夹线器组件        | PRE-TENSION CONTROLLER ASM.     | 1  |
| 58 | 411.01-14      | 右盖板           | BED COVER RIGHT                 | 1  |
| 59 | 421.12-26      | 导线板           | BTW BEARING SPACER              | 1  |
| 60 | H0-004         | 型号牌           | TYPE PLATE                      | 1  |
| 61 | 17-3200500-5   | 铆钉 M2×5       | RIVET                           | 2  |
| 62 | 421.12-31      | 第一过线钩         | THREAD_GUIDE_NO.1               | 1  |
| 63 | 411.01-22-00   | 钉扣机照明灯PCB板    | LIGHTING ASM                    | 1  |
| 64 | 01-404001023-3 | 十字一字盘头 M4×10  | SCREW M4 L=10                   | 2  |
| 65 | 411.01-11      | 护线板           | PROTECT LINE PLANK              | 1  |
| 66 | 411.01-16      | 线路板支架         | PROTECTION PLATE                | 1  |
| 67 | 411.05-17      | 机头信号转接板       | MACHINE SIGNAL CONNECTING PLATE | 1  |
| 68 | 421.12-19      | M4螺柱          | BOLT M4                         | 4  |
| 69 | 421.12-08-01   | 安全开关安装板       | SAFETY SWITCH BASE              | 1  |
| 70 | 421.12-08-05   | 安全开关固定板       | SAFETY SWITCH NUT               | 1  |
| 71 | 421.12-08-02   | 安全开关板簧        | SAFETY SWITCH ARM               | 1  |
| 72 | 421.12-08-03   | 安全开关板簧螺钉      | SAFETY SWITCH SPRING SCREW      | 1  |
| 73 | 421.12-08-06   | 安全开关          | SAFETY SWITCH                   | 1  |
| 74 | 421.12-08-04   | 安全开关扭簧        | SAFETY SWITCH SPRING            | 1  |
| 75 | 01-402001222-3 | 十字槽盘头螺钉 M2X12 | SCREW M2×12                     | 2  |
| 76 | 01-405000823-1 | 十字一字盘头螺钉 M5×8 | SCREW M5×8                      | 1  |
| 80 | 411.01-22-00   | 照明灯组件         | LIGHT ASM                       | 1  |
| 81 | 18-404000823-3 | 组合螺钉 M4×8     | SCREW M4×8                      | 4  |
| 82 | 411.05-20      | 端子            | PORT                            | 1  |
| 83 | 411.05-18      | 6P插头          | 6P PIN                          | 1  |
| 84 | 411.05-19      | 2P插头          | 2P PIN                          | 1  |
| 85 | 411.05-13      | 机头信号转接板连接电缆   | MACHINE SIGNAL ELECTRICAL WIRE  | 1  |
| 86 | 411.05-15      | LED照明灯连接线缆    | LED LIGHT ELECTRICAL WIRE       | 1  |
| 87 | 411.05-14      | 电磁铁连接线缆       | AT SOLENOID ELECTRICAL WIRE     | 1  |
| 88 | 411.05-12      | 接地端子连接电缆      | EARTH LINE                      | 1  |

## 02. 上轴部件-1 CRANKSHAFT MECHANISM-1

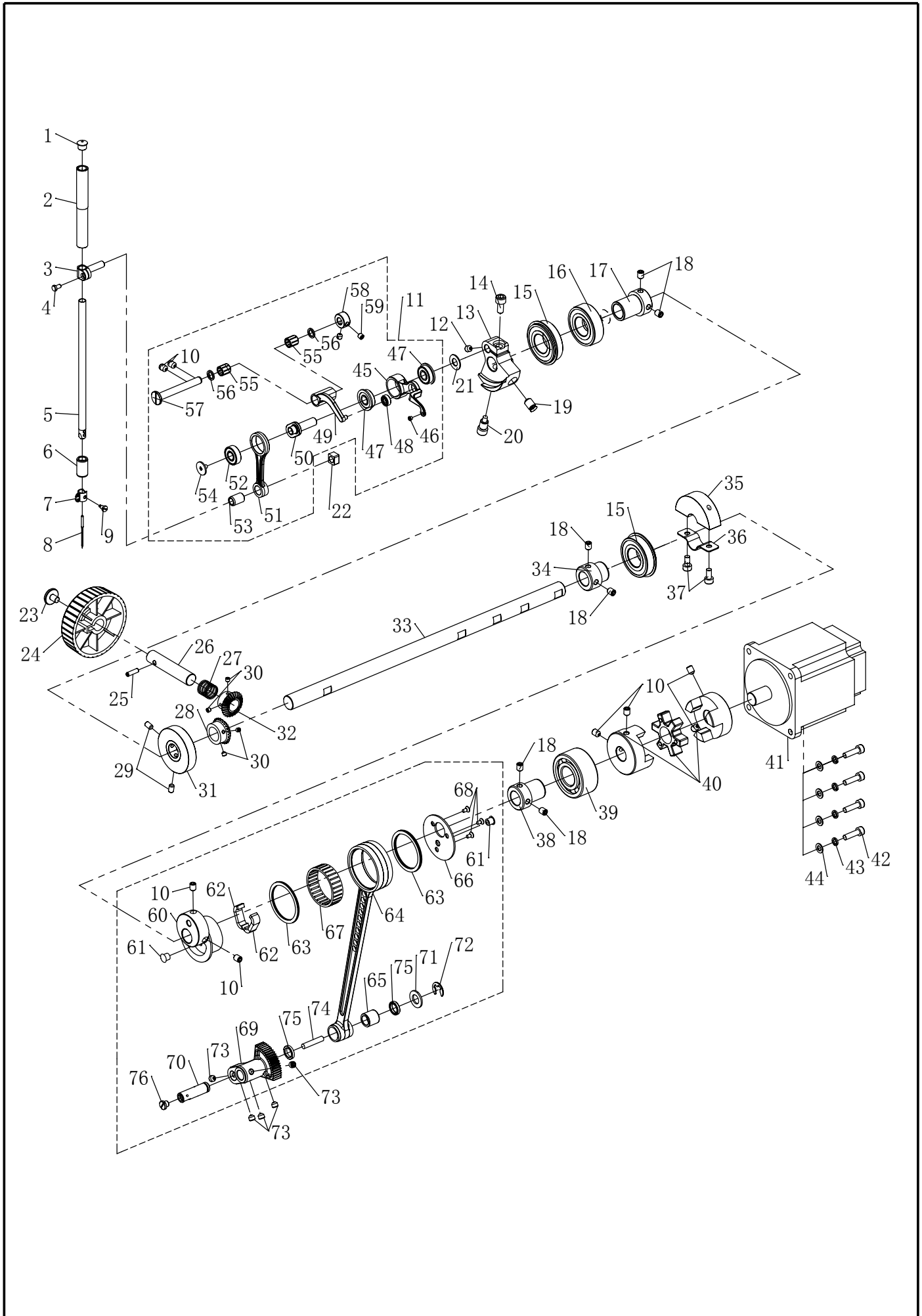


## 02. 上轴部件-1 CRANKSHAFT MECHANISM-1

| 序号 | 图号             | 名称                 | NAME OF PARTS            | 数量 |
|----|----------------|--------------------|--------------------------|----|
| 1  | 22-08506511    | 橡胶塞                | PLUG                     | 1  |
| 2  | 421.02-22      | 针杆上套               | NEEDLE ROD METAL         | 1  |
| 3  | 421.02-18      | 针杆连接柱              | NEEDLE BAR CLAMP         | 1  |
| 4  | 02-509400721-1 | 螺钉SM9 / 64"×40-7   | SCREW                    | 1  |
| 5  | 411.02-01      | 针杆                 | NEEDLE BAR               | 1  |
| 6  | 411.02-10      | 针杆下套               | NEEDLE ROD LOWER METAL   | 1  |
| 7  | 411.02-02      | 针杆线钩               | NEEDLE BAR THREAD GUIDE  | 1  |
| 8  | 101.12-11-20   | 机针                 | NEEDLE                   | 1  |
| 9  | 01-503000421-1 | 螺钉M3×4             | SCREW M3 L=4             | 1  |
| 10 | 01-806000814-1 | 内六角凹端螺钉 M6×8       | SCREW M6 L=8             | 8  |
| 11 | 421.02-10-000  | 挑线组件               | NEEDLE BAR CRANK ROD ASM | 1  |
| 12 | 01-806750614-1 | 内六角螺钉M6×0.75×6     | SCREW M6×0.75 L=6        | 1  |
| 13 | 421.02-09      | 针杆曲柄               | COUNTER_WEIGHT           | 1  |
| 14 | 01-506001224-1 | 内六角圆柱头螺钉M6×12      | SCREW M6 L=12            | 1  |
| 15 | 14-6004-2ZNR   | 带挡圈轴承              | BEARING                  | 1  |
| 16 | 14-6004-2Z     | 深沟球轴承(6004-2Z)     | BEARING                  | 1  |
| 17 | 411.02-06      | 上轴前轴套              | BEARING_BUSH_B           | 1  |
| 18 | 01-806750814-1 | 内六角凹端紧定螺钉M6×0.75×8 | SCREW M6×0.75 L=8        | 6  |
| 19 | 01-808001014-1 | 内六角凹端螺钉M8×10       | SCREW M8 L=10            | 1  |
| 20 | 421.02-32      | 针杆曲柄定位螺钉           | COUNTER WEIGHT SCREW     | 1  |
| 21 | 05-081101603-5 | 平垫圈                | WASHER                   | 1  |
| 22 | 421.02-19      | 针杆连接柱滑块            | SLIDE BLOCK              | 1  |
| 23 | 01-606000821-1 | 手轮螺钉               | SET-SCREW                | 1  |
| 24 | 421.08-01      | 手轮                 | PULLEY                   | 1  |
| 25 | 15-1401405-1   | 弹性圆柱销4×14          | SPRING PIN 4×14          | 1  |
| 26 | 411.02-04      | 手轮轴                | HAND PULLEY SHAFT        | 1  |
| 27 | 421.08-03      | 手轮复位簧              | SPRING                   | 1  |
| 28 | 421.08-05-00   | 上轴手动离合齿轮           | GEAR A                   | 1  |
| 29 | 01-805000814-1 | 内六角平端紧定螺钉M5X8      | SCREW M5 L=8             | 2  |
| 30 | 01-804000414-1 | 凹端紧定螺钉 M4×4        | SCREW M4 L=4             | 4  |
| 31 | 421.13-02      | 绕线驱动轮              | BTW_DRIVING_WHEEL        | 1  |
| 32 | 421.08-04-00   | 手轮轴齿轮              | GEAR B                   | 1  |
| 33 | 411.02-05      | 上轴                 | MAIN SHAFT               | 1  |
| 34 | 411.02-07      | 上轴中轴套              | BEARING_BUSH             | 1  |
| 35 | 421.02-08      | 平衡块                | AC SERVO MOTOR           | 1  |
| 36 | 421.02-07      | 平衡块安装架             | CRANK_BALANCER_FIX_PLATE | 1  |
| 37 | 01-505001024-1 | 内六角圆柱头螺钉M5×10      | SCREW M5 L=10            | 2  |
| 38 | 411.02-08      | 上轴后轴套              | BEARING_BUSH_B           | 1  |
| 39 | 14-3204-2Z     | 轴承3204-2Z          | BEARING                  | 1  |
| 40 | 421.02-05-00   | 联轴器                | COUPLING                 | 1  |
| 41 | 411.02-11      | 上轴电机               | MOTOR                    | 1  |
| 42 | 01-505001824-1 | 内六角圆柱头螺钉M5×18      | SCREW M5 L=18            | 4  |
| 43 | 07-0521313-1   | 弹簧垫圈5              | SPRING WASHER            | 4  |
| 44 | 05-056101000-4 | 平垫片                | WASHER 5.6-10            | 4  |
| 45 | 421.02-10-01   | 挑线杆                | THREAD TAKE UP LEVER     | 1  |
| 46 | 421.02-10-02   | 挑线杆过线套             | THREAD PASS BUSH         | 1  |
| 47 | 14-619/8-2Z    | 轴承F698 ZZ          | BEARING                  | 2  |
| 48 | 14-619/4-2Z    | 轴承619-4            | BEARING                  | 1  |
| 49 | 421.02-11      | 挑线连杆               | THREAD TAKE UP CRANK     | 1  |
| 50 | 421.02-15      | 挑线曲柄               | NEEDLE ROD CRANK         | 1  |
| 51 | 421.02-17-01   | 针杆连杆               | NEEDLE BAR CRANK ROD     | 1  |
| 52 | 14-619-8-2Z    | 轴承619-8-2Z         | BEARING                  | 1  |

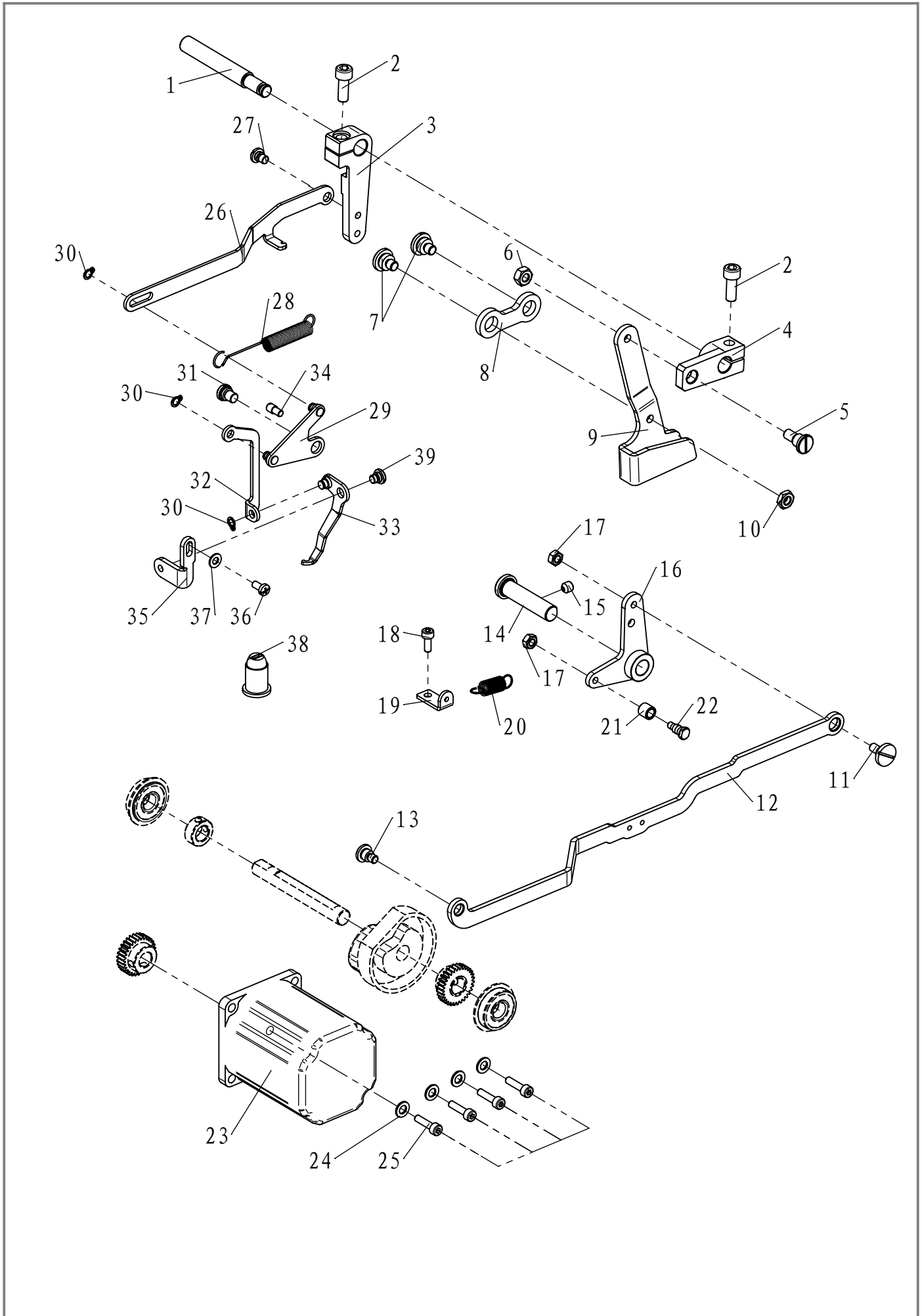


02. 上轴部件-2 CRANKSHAFT MECHANISM-2



## 02. 上轴部件-2      CRANKSHAFT MECHANISM-2

| 序号 | 图 号            | 名 称                | NAME OF PARTS              | 数量 |
|----|----------------|--------------------|----------------------------|----|
| 53 | 421.02-17-02   | 针杆连杆轴套             | NEEDLE BAR CRANK ROD METAL | 1  |
| 54 | 421.02-16      | 挑线曲柄左旋螺钉           | LEFT SCREW                 | 1  |
| 55 | 14-K71010      | 滚针轴承K7X10X10       | BEARING                    | 2  |
| 56 | 421.02-14      | 挑线连杆垫圈             | BEARING SUPPORT            | 2  |
| 57 | 421.02-12      | 挑线连杆销              | THREAD TAKE UP CRANK SHAFT | 1  |
| 58 | 421.02-13      | 挑线连杆销挡圈            | THRUST COLLAR              | 1  |
| 59 | 01-805000514-1 | 内六角凹端螺钉M5×5        | SCREW M5 L=5               | 2  |
| 60 | 421.02-25      | 送料凸轮               | ECCENTRIC                  | 1  |
| 61 | 22-06406009    | 油塞 φ6.7            | PLUG D=6.7                 | 2  |
| 62 | 421.02-27      | 送料凸轮油毡             | UNDER CAM FELT             | 2  |
| 63 | 421.02-29      | 送料连杆轴承垫圈           | WASHER                     | 4  |
| 64 | 421.02-28-01   | 送料连杆               | LINK                       | 1  |
| 65 | 421.02-28-02   | 送料连杆销衬套            | BUSHING                    | 1  |
| 66 | 421.02-26      | 送料凸轮盖板             | CRANK ROD SUPPORT PLATE    | 1  |
| 67 | 14-K384313     | 送料连杆滚针轴承           | BEARING                    | 1  |
| 68 | 01-103000621-1 | 十字沉头螺钉M3×6         | SCREW M3 L=6               | 3  |
| 69 | 421.02-30      | 摆动齿轮               | OSCILLATOR                 | 1  |
| 70 | 421.02-31      | 送料连杆销              | PIN                        | 1  |
| 71 | 421.02-33      | 送料连杆销垫圈            | WASHER                     | 1  |
| 72 | 06-0801016-1   | E型挡圈8              | E-RING                     | 1  |
| 73 | 01-806750514-1 | 内六角凹端紧定螺钉M6×0.75×5 | SCREW M6×0.75 L=5          | 5  |
| 74 | 421.03-19      | 跳压脚轴油芯             | OIL WICK                   | 1  |
| 75 | 13-08240150    | 骨架油封               | OIL SEAL                   | 2  |
| 76 | 421.02-35      | 送料连杆销端面螺钉          | SCREW M6 L=5               | 1  |

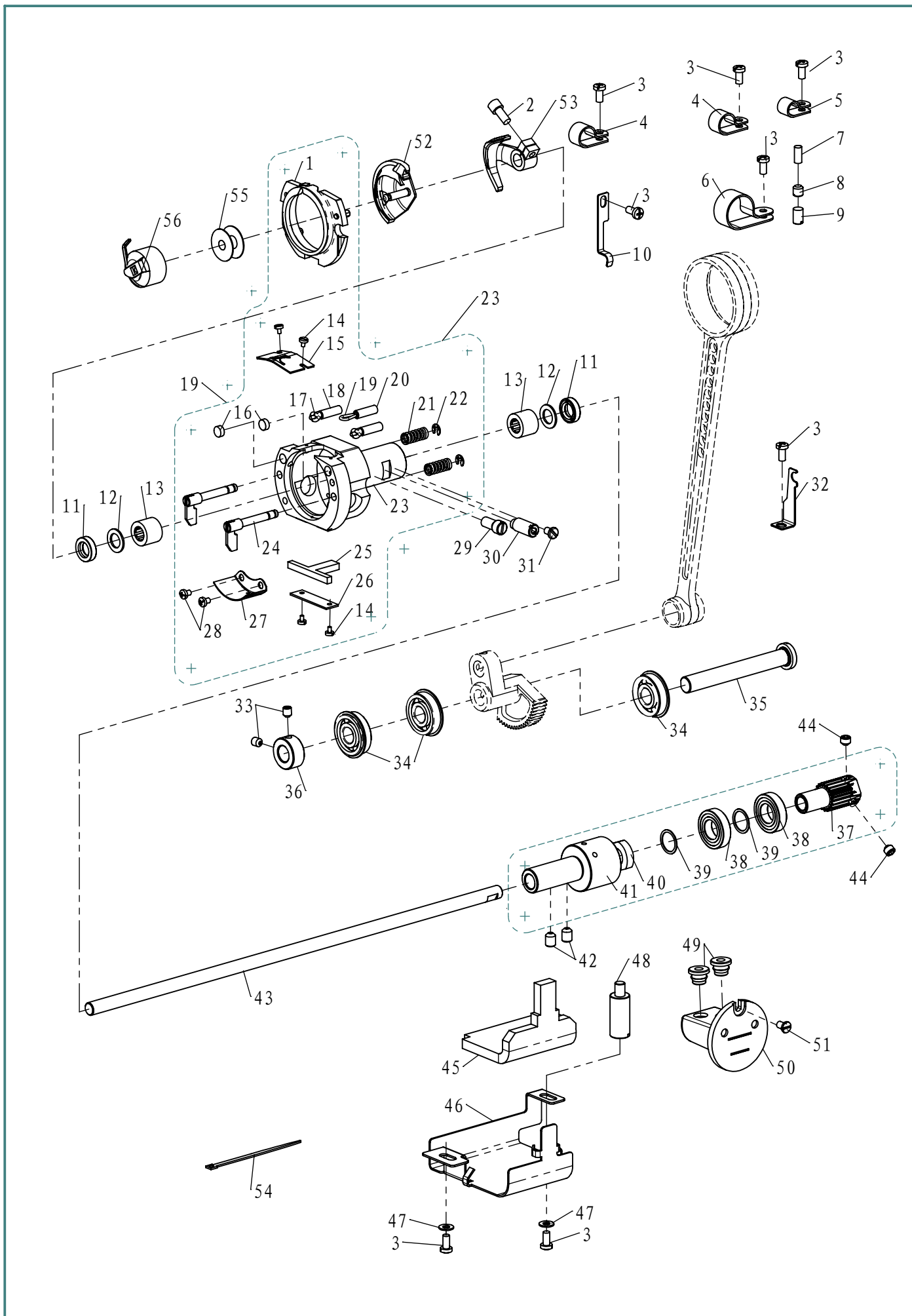


## 03. 抬压脚部件

## PRESSER FOOT MECHNISM

| 序号 | 图号             | 名称            | NAME OF PARTS          | 数量 |
|----|----------------|---------------|------------------------|----|
| 1  | 411.03-04      | 抬压脚摆动臂销       | CONNECTING SHAFT       | 1  |
| 2  | 01-506001824-1 | 内六角螺钉M6×18    | SCREW M6 L=18          | 2  |
| 3  | 411.03-05      | 抬压脚摆动臂A       | CONNECTING ARM         | 1  |
| 4  | 411.03-09      | 抬压脚摆动臂B       | LOWERING ARM           | 1  |
| 5  | 411.03-10      | 抬压脚摆动臂轴位螺钉    | HINGE SCREW D=8 H=6    | 1  |
| 6  | 03-606000520-1 | 六角螺母M6        | NUT M6                 | 1  |
| 7  | 411.03-06      | 抬压脚压杆轴位螺钉     | HINGE SCREW D=10 H=4   | 2  |
| 8  | 411.03-07      | 抬压脚连杆         | CONNECTING LINK        | 1  |
| 9  | 411.03-08      | 抬压脚压杆         | LOWERING FOOT          | 1  |
| 10 | 03-606000350-1 | 六角螺母M6        | NUT M6                 | 1  |
| 11 | 421.04-11      | 连杆调整轴位螺钉      | HINGE SCREW D=8 H=3.3  | 1  |
| 12 | 411.03-02      | 抬压脚拉杆         | LIFTER LINK B          | 1  |
| 13 | 411.03-03      | 抬压脚拉杆轴位螺钉     | HINGE SCREW D=7 H=4    | 1  |
| 14 | 411.03-17      | 抬压脚轴          | THREAD TRIMMER SHAFT   | 1  |
| 15 | 01-806000614-1 | 内六角凹端螺钉 M6×6  | SCREW M6 L=6           | 1  |
| 16 | 411.03-16      | 抬压脚连杆         | LIFTER LINK A ASM      | 1  |
| 17 | 03-605000400-1 | 六角螺母M5        | NUT M5                 | 2  |
| 18 | 01-504001024-1 | 内六角圆柱头螺钉M4×10 | SCREW M4 L=10          | 1  |
| 19 | 411.03-13      | 抬压脚弹簧拉板       | SPRING RACK            | 1  |
| 20 | 421.04-10      | 压脚调整拉杆弹簧      | SPRING                 | 1  |
| 21 | 411.03-15      | 抬压脚凸轮销滚柱      | NEEDLE CAM ROLLER A    | 1  |
| 22 | 411.03-14      | 抬压脚凸轮销螺钉      | CAM ROLLER SHAFT       | 1  |
| 23 | 411.03-19      | 剪线抬压脚伺服电机     | FEED MOTOR             | 1  |
| 24 | 05-056101000-4 | 平垫片           | WASHER 5.6-10          | 4  |
| 25 | 01-504001624-1 | 内六角螺钉M4×16    | SCREW M4 L=16          | 4  |
| 26 | 411.03-23      | 拨线连杆          | WIPER CONNECTING LINK  | 1  |
| 27 | 411.03-27      | 轴位螺钉2         | HINGE SCREW            | 1  |
| 28 | 411.03-29      | 弹簧            | SPRING                 | 1  |
| 29 | 411.03-21      | 拨线连杆          | WIPER CONNECTING LINK  | 1  |
| 30 | 10-0470610-1   | 轴用挡圈          | RETAINING RING 4.7     | 3  |
| 31 | 411.03-25      | 轴位螺钉          | HINGE SCREW            | 1  |
| 32 | 411.03-30      | 拨线连接板         | WIPER_CONNECTING_PLATE | 1  |
| 33 | 411.03-20      | 拨线勾           | WIPER C ASM            | 1  |
| 34 | 411.03-24      | 限位螺钉销         | PIN                    | 1  |
| 35 | 411.03-22      | 拨线板           | WIPER BASE PLATE       | 1  |
| 36 | 01-404000823-1 | 十字一字槽螺钉 M4×8  | SCREW M4 L=8           | 1  |
| 37 | 05-045080900-1 | 垫片            | WASHER 4.8×8.4×0.8     | 1  |
| 38 | 411.03-28      | 橡胶套           | RUBBER COVER           | 1  |
| 39 | 411.03-26      | 轴位螺钉1         | HINGE SCREW            | 1  |

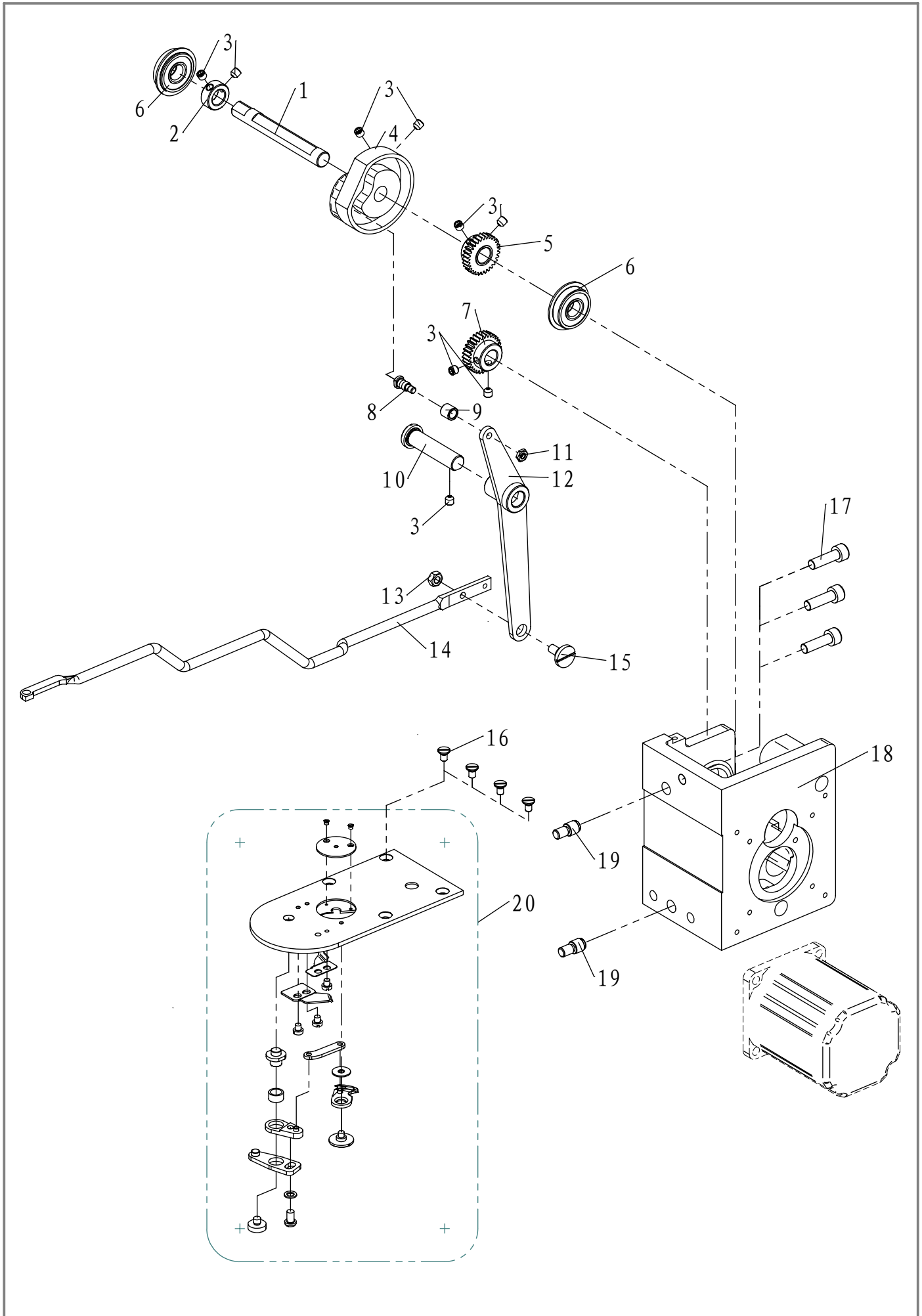
04. 下轴部件 CRANKSHAFT MECHANISM



#### 04. 下轴部件 CRANKSHAFT MECHANISM

| 序号 | 图 号             | 名 称                  | NAME OF PARTS                 | 数量 |
|----|-----------------|----------------------|-------------------------------|----|
| 1  | 421.05-05-10    | 摆梭盖组件                | INNER HOOK PRESSER ASM        | 1  |
| 2  | 02-512281024-1  | 内六角圆柱头螺钉SM3/16×28-10 | SCREW                         | 1  |
| 3  | 01-404000823-1  | 十字一字槽螺钉 M4×8         | SCREW M4 L=8                  | 8  |
| 4  | 331.18-22       | 线夹(中)                | CLAMP                         | 2  |
| 5  | 381.03-11       | 线夹(小)                | CLAMP                         | 1  |
| 6  | 411.04-11       | 线夹(大)                | CLAMP                         | 1  |
| 7  | 411.04-01       | 油芯顶杆                 | OIL WICK PRESSER              | 1  |
| 8  | 01-806000621-1  | 开槽平端紧定螺钉M6×6         | SCREW                         | 1  |
| 9  | 01-806001041-1  | 开槽尖端螺钉M6×10          | SCREW                         | 1  |
| 10 | 411.04-02       | 油路管夹                 | OIL-PIPE-HOLDER               | 1  |
| 11 | 13-08240150     | 骨架油封                 | SHUTTLE OIL SEAL              | 2  |
| 12 | 05-095101483-5  | 摆梭轴垫片                | SHUTTLE BEARING RING          | 2  |
| 13 | 14-K81210       | 无内圈单列滚针轴承K8×12×10    | BEATING                       | 2  |
| 14 | 01-602000421-1  | 开槽大帽圆柱头螺钉M2 L=3.5    | SCREW M2 L=3.5                | 4  |
| 15 | 411.04-04       | 梭子上弹簧片               | INNER HOOK UPPER SPRING       | 1  |
| 16 | 421.05-05-05    | 摆梭润滑盖                | SHUTTLE OIL FELT              | 2  |
| 17 | 411.04-03-01    | 油线                   | OIL WICK                      | 2  |
| 18 | 411.04-03-02    | 油管                   | TUBE                          | 2  |
| 19 | 411.04-03-03    | 油线                   | OIL WICK                      | 1  |
| 20 | 411.04-03-04    | 油管                   | TUBE                          | 1  |
| 21 | 421.05-05-13    | 摆梭压紧弹簧               | INNER HOOK PRESSER SPRING     | 2  |
| 22 | 06-0300607-1    | E型挡圈3                | E-RING                        | 2  |
| 23 | 421.05-05-00    | 摆梭座                  | SHUTTLE                       | 1  |
| 24 | 421.05-05-12-00 | 摆梭压紧杆组件              | INNER_HOOK_PRESSER_ASM        | 2  |
| 25 | 421.05-05-07    | 油毡                   | SHUTTLE ONCE THROUGH OIL FELT | 1  |
| 26 | 421.05-05-06    | 油毡夹                  | ONCE THROUGH OIL GELT PRESSER | 1  |
| 27 | 421.05-05-04    | 摆梭润滑盘                | SHUTTLE LUBRICATING PLATE     | 1  |
| 28 | 01-403000423-1  | 十字盘头螺钉M3x4           | SCREW M3 L=4                  | 2  |
| 29 | 421.05-05-14    | 摆梭锁紧螺钉               | SHUTTLE-ASM-SCREW             | 1  |
| 30 | 421.05-05-11    | 偏心销轴                 | SHURRLE-RACE-ADJUSTING-SHAFT  | 1  |
| 31 | 01-604000621-1  | 一字薄帽圆柱头螺钉M4×6        | SCREW                         | 1  |
| 32 | 411.04-06       | 油管固定架                | TUBE-CLAMP                    | 1  |
| 33 | 01-805000614-1  | 内六角凹端螺钉M5×6          | SCREW M5 L=6                  | 2  |
| 34 | 14-6000-2LSNR   | 带挡圈轴承6000-2LSNR      | BEARING                       | 3  |
| 35 | 411.04-05       | 摆动齿轮轴                | OSCILLATOR SHAFT              | 1  |
| 36 | 421.04-08       | 挡圈10                 | THRUST-COLLAR                 | 1  |
| 37 | 421.05-04-01    | 下轴齿轮                 | SHAFT                         | 1  |
| 38 | 14-61901-2Z     | 轴承 14-61901-2Z       | BEARING                       | 2  |
| 39 | 421.05-04-02    | 下轴齿轮环                | RING                          | 2  |
| 40 | 421.05-04-03    | 下轴齿轮螺母               | NUT                           | 1  |
| 41 | 421.05-04-04    | 下轴齿轮座                | LOWER-SHAFT-HOLDER            | 1  |
| 42 | 01-806000814-1  | 内六角凹端螺钉 M6×8         | SCREW M6 L=8                  | 2  |
| 43 | 411.04-07       | 下轴                   | LOWER SHAFT                   | 1  |
| 44 | 01-806000514-1  | 内六角凹端螺钉 M6×5         | SCREW M6 L=5                  | 2  |
| 45 | 411.04-09       | 下轴齿轮盖毛毡              | LOWER-SHAFT-GEAR-FELT         | 1  |
| 46 | 411.04-08       | 下轴齿轮盖                | LOWER-SHAFT-GEAT-COVER        | 1  |
| 47 | 05-043080900-4  | 平垫圈                  | WASHER                        | 2  |
| 48 | 411.04-10       | 齿轮盖连接柱               | GEAR-COVER-PILLAR             | 1  |
| 49 | 421.12-10-02    | 油杯密封圈                | RUBBER BUSH                   | 2  |
| 50 | 421.12-10-01    | 油杯                   | OIL TANK ASM                  | 1  |
| 51 | 01-604000621-1  | 开槽薄帽螺钉M4×6           | SCREW                         | 1  |
| 52 | 411.04-15       | 摆梭(小梭芯)              | SHUTTLE                       | 1  |
| 53 | 411.04-14       | 摆梭驱动(小牛角)            | SHUTTLE-DRIVER                | 1  |
| 54 | CB01-16-A00     | 电线扎紧带                | CABLE BAND                    | 1  |
| 55 | 411.04-12       | 小梭芯                  | BOBBIN                        | 1  |
| 56 | 411.04-13       | 小梭壳                  | BOBBIN CASE ASM               | 1  |

05. 剪线部件 THREAD TRIMMER MECHANISM COMPONENTS

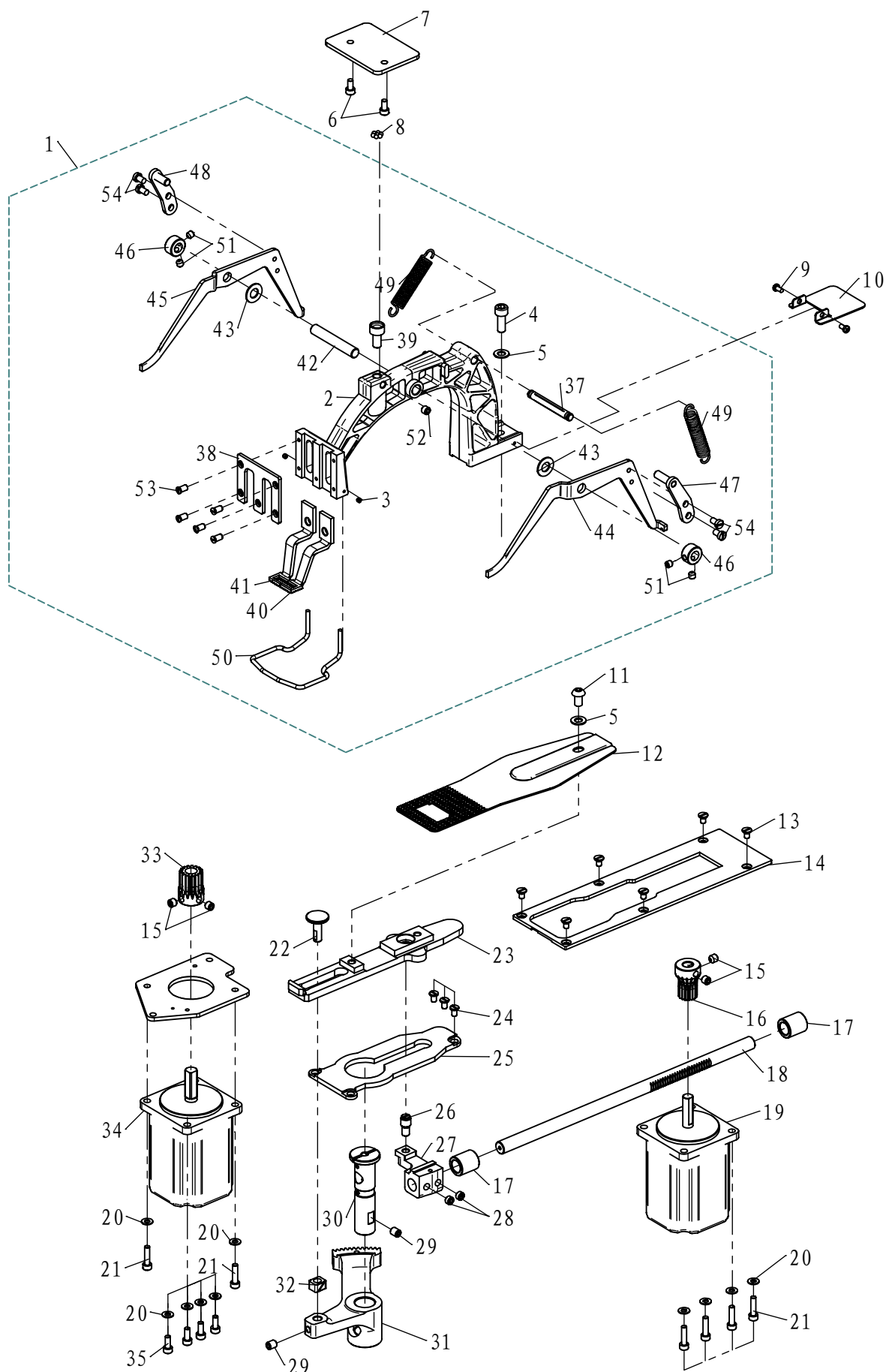


## 05. 剪线部件 THREAD TRIMMER MECHANISM COMPONENTS

| 序号 | 图 号            | 名 称           | NAME OF PARTS            | 数量 |
|----|----------------|---------------|--------------------------|----|
| 1  | 411.05-05      | 抬压脚剪线凸轮轴      | CONNECTING SHAFT         | 1  |
| 2  | 411.05-11      | 挡圈            | THRUST_COLLAR            | 1  |
| 3  | 01-805000514-1 | 内六角凹端紧定螺钉M5×5 | SCREW                    | 9  |
| 4  | 411.05-06      | 抬压脚剪线凸轮       | THREAD TRIMMER CAM       | 1  |
| 5  | 411.05-08      | 抬压脚剪线从动齿轮     | GEAR B                   | 1  |
| 6  | 14-6000-2LSNR  | 带挡圈轴承         | BEARING                  | 2  |
| 7  | 411.05-07      | 抬压脚剪线主动齿轮     | GEAR A                   | 1  |
| 8  | 411.03-14      | 抬压脚凸轮销螺钉      | CAM ROLLER SHAFT         | 1  |
| 9  | 411.03-15      | 抬压脚凸轮销滚柱      | NEEDLE CAM ROLLER        | 1  |
| 10 | 411.03-17      | 抬压脚轴          | THREAD TRIMMER SHAFT     | 1  |
| 11 | 03-604000220-1 | 六角螺母M4×2.2    | NUT                      | 1  |
| 12 | 411.05-09      | 剪线连杆          | THREAD TRIMMER LINK ASM. | 1  |
| 13 | 03-605000400-1 | 六角螺母M5        | NUT                      | 1  |
| 14 | 411.05-01      | 剪线拉杆          | CONNECTING BAR           | 1  |
| 15 | 421.06-14      | 切线连杆轴位螺钉      | HINGE SCREW D=8 H=3.3    | 1  |
| 16 | 01-104000721-1 | 开槽沉头螺钉M4      | SCREW                    | 4  |
| 17 | 01-506002024-1 | 内六角圆柱头M6×20   | SCREW                    | 3  |
| 18 | 411.05-10      | 抬压脚剪线电机座      | SOLENOID BASE            | 1  |
| 19 | 411.06-07-04   | 送料轴连杆螺钉       | SCREW                    | 2  |
| 20 | 411.05-02-00   | 针板剪刀组件        | MOVING KNIFE WASHER      | 1  |

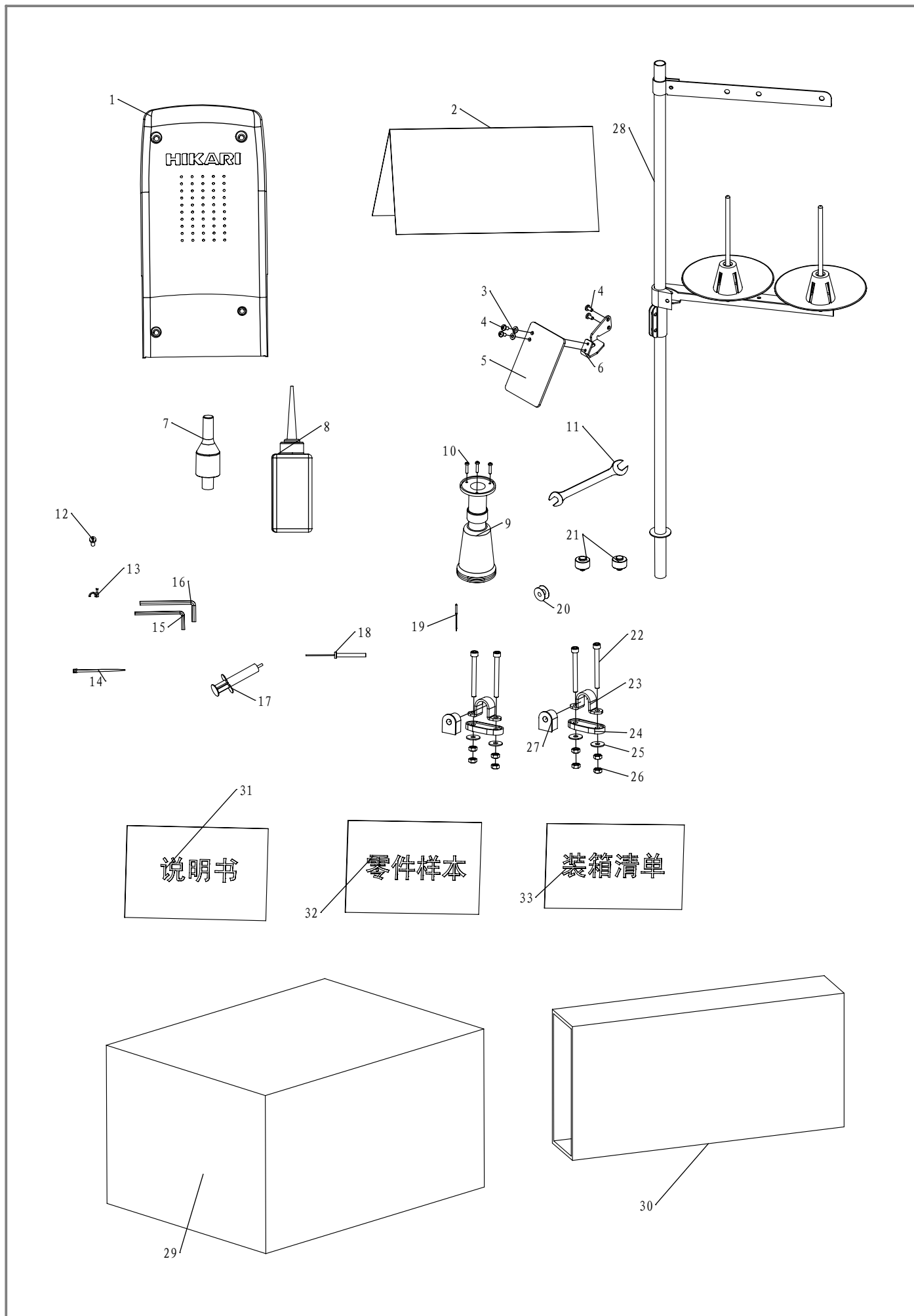


# 06. 送料部件 FEED MECHANISM COMPONENTS



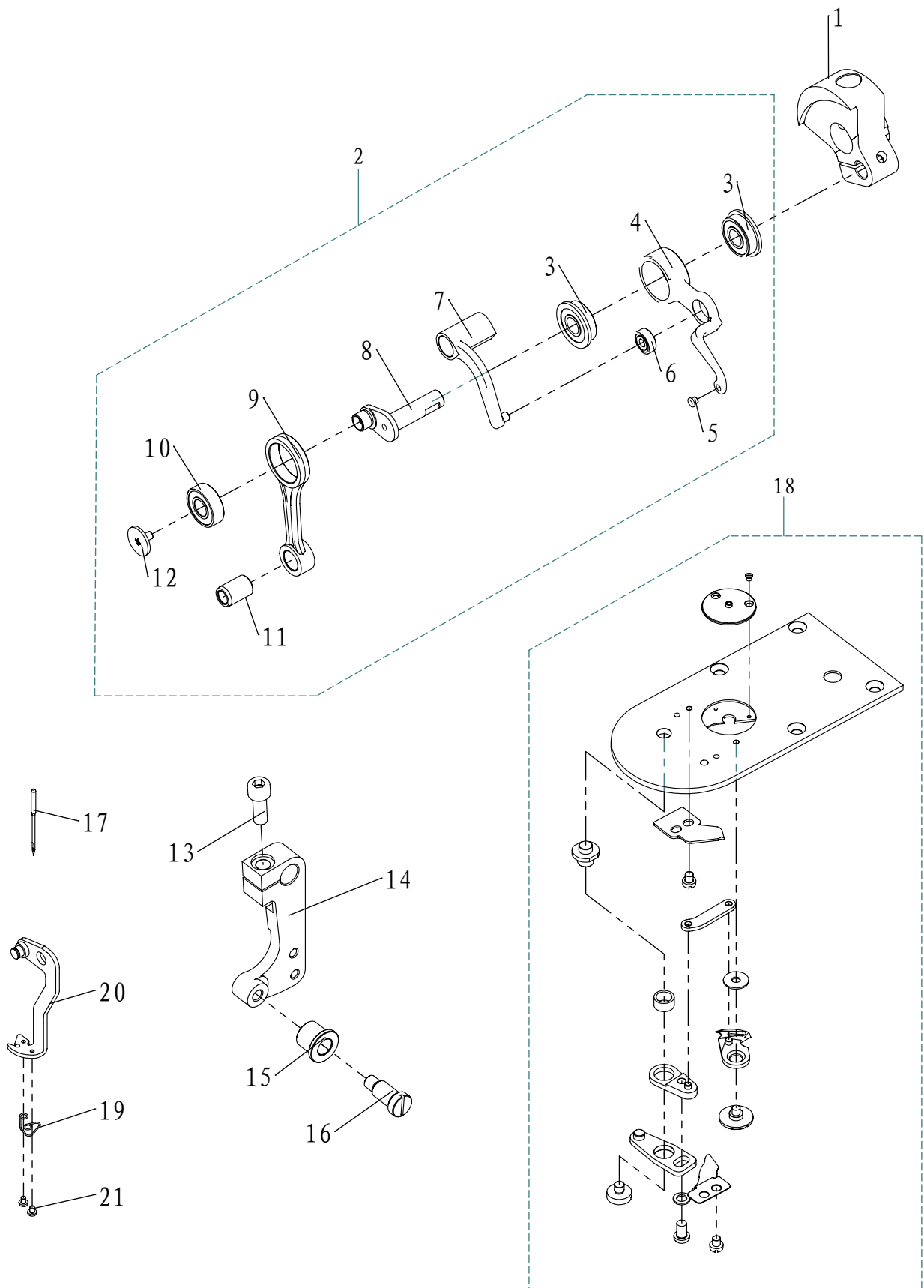
## 06. 送料部件 FEED MECHANISM COMPONENTS

| 序号 | 图号              | 名称                       | NAME OF PARTS                 | 数量 |
|----|-----------------|--------------------------|-------------------------------|----|
| 1  | 411.06-01-00    | 送料托架组件                   | FEED BRACKET B                | 1  |
| 2  | 411.06-01-07    | 送料托架                     | FEED DRIVING ARN SHAFT        | 1  |
| 3  | 02-808440311-1  | 内六角平端紧定螺钉SM1/8" × 44-3   | SCREW SM1/8" × 44 L=3         | 2  |
| 4  | 01-506001824-1  | 内六角螺钉M6 × 18             | SCREW M6 L=18                 | 1  |
| 5  | 05-063101201-1  | 平垫片                      | WASHER                        | 2  |
| 6  | 01-504000824-1  | 内六角圆柱头螺钉M4 × 8           | SCREW M4 L=8                  | 2  |
| 7  | 411.06-02       | 送料架支撑板                   | SUPPORT PLATE                 | 1  |
| 8  | 260.29-01-04    | 滚珠                       | WORK CLAMP FOOT MOUNTING BASE | 7  |
| 9  | 01-403000623-1  | 十字一字槽螺钉M3 × 6            | SCREW M3 L=6                  | 2  |
| 10 | 411.06-04       | 遮尘盖                      | HIDDEN_PLATE                  | 1  |
| 11 | 01-306001024-1  | 内六角圆头螺钉M6 × 10           | SCREW M6 L=10                 | 1  |
| 12 | 411.06-05       | Y轴运动上盖                   | Y FEED PLATE                  | 1  |
| 13 | 01-104000721-1  | 开槽沉头螺钉M4 × 7             | SCREW M4 L=7                  | 6  |
| 14 | 411.06-06       | 盖板                       | CLOTH FEED PRESSER PLATE      | 1  |
| 15 | 01-806000614-1  | 内六角凹端螺钉 M6 × 6           | SCREW M6 L=6                  | 4  |
| 16 | 411.06-19       | Y向驱动齿轮                   | Y FEED GEAR                   | 1  |
| 17 | 411.06-10       | 轴套                       | BUSHING REAR                  | 2  |
| 18 | 411.06-11       | Y向驱动齿轮轴                  | X FEED SHAFT                  | 1  |
| 19 | 411.06-20       | Y向伺服电机                   | FEED MOTOR                    | 1  |
| 20 | 05-043080900-4  | 平垫圈                      | WASHER                        | 10 |
| 21 | 01-504001624-1  | 内六角螺钉M4 × 16             | SCREW M4 L=16                 | 6  |
| 22 | 411.06-07-02    | 滑块销                      | SLIDE BLOCK STUD              | 1  |
| 23 | 411.06-07-00    | X方向摆动架组件                 | CLOTH FEED PLATE              | 1  |
| 24 | 01-604000621-1  | 开槽薄帽螺钉M4 × 6             | SCREW                         | 3  |
| 25 | 411.06-07-03    | X方向摆动架托板                 | CLOTH FEED SUPPORT PLATE      | 1  |
| 26 | 411.06-07-04    | 送料轴连杆螺钉                  | HINGE STUD                    | 1  |
| 27 | 411.06-13       | Y送料轴连杆                   | Y FEED ARM                    | 1  |
| 28 | 02-816400514-1  | 内六角凹端紧定螺钉SM1/4" × 40 × 5 | SM1/4" × 40 L=5               | 2  |
| 29 | 01-806000814-1  | 内六角凹端螺钉 M6 × 8           | SCREW M6 L=8                  | 2  |
| 30 | 411.06-14       | 摆动架销                     | FEED DRIVING ARM SHAFT        | 1  |
| 31 | 411.06-15       | X向扇形齿轮                   | X SECTOR GEAR                 | 1  |
| 32 | 411.06-07-06    | 滑块                       | SQUARE BLOCK                  | 1  |
| 33 | 411.06-17       | X向驱动齿轮                   | X FEED GEAR                   | 1  |
| 34 | 411.06-21       | X向伺服电机                   | FEED MOTOR                    | 1  |
| 35 | 01-504001024-1  | 内六角圆柱头螺钉M4 × 10          | SCREW M4 L=10                 | 4  |
| 36 | 411.06-18-02    | X向电机固定板2                 | X_FEED_MOTOR_BASE             | 1  |
| 37 | 411.06-01-12    | 弹簧支撑销                    | SPING SUSPENSION              | 1  |
| 38 | 411.06-01-08    | 压脚盖板                     | WORK CLAMP FOOT FACE PLATE    | 1  |
| 39 | 411.06-01-05    | 钢珠碗                      | BLL RETAINER                  | 1  |
| 40 | 411.06-01-10    | 压脚(左)                    | WORK CLAMP FOOT, LEFT         | 1  |
| 41 | 411.06-01-09    | 压脚(右)                    | WORK CLAMP FOOT, RIGHT        | 1  |
| 42 | 411.06-01-06    | 提升杆轴                     | LIFTING LEVER SHAFT           | 1  |
| 43 | 05-84151503-5   | 平垫圈8.1, 1, 16            | WASHER                        | 2  |
| 44 | 411.06-01-14    | 提升杆(右)                   | LIFTING LEVER RIGHT           | 1  |
| 45 | 411.06-01-03    | 提升杆(左)                   | LIFTING LEVER LEFT            | 1  |
| 46 | 411.06-01-02    | 挡圈                       | THRUST_COLLAR                 | 2  |
| 47 | 411.06-01-13-00 | 提升杆顶板组件(右)               | LIFTING LEVER_PLATE_ASM (R)   | 1  |
| 48 | 411.06-01-01-00 | 提升杆顶板组件(左)               | LIFTING LEVER_PLATE_ASM (L)   | 1  |
| 49 | 411.06-01-04    | 提升杆拉簧                    | CLOTH PRESSER SPRING          | 2  |
| 50 | 411.06-01-11    | 护指架                      | FINGER GUARD                  | 1  |
| 51 | 01-805000514-1  | 内六角凹端螺钉M5 × 5            | SCREW M5 L=5                  | 4  |
| 52 | 02-815280614-1  | 内六角凹端螺钉SM15/64" × 28-6   | SM15/64" × 28 L=6             | 1  |
| 53 | 02-211400821-1  | 半沉头螺钉SM11/64" × 40-8     | SCREW SM11/64" × 40 L=8       | 5  |
| 54 | 02-411400721-1  | 开槽圆柱头螺钉SM11/64" × 40-7   | SCREW                         | 4  |

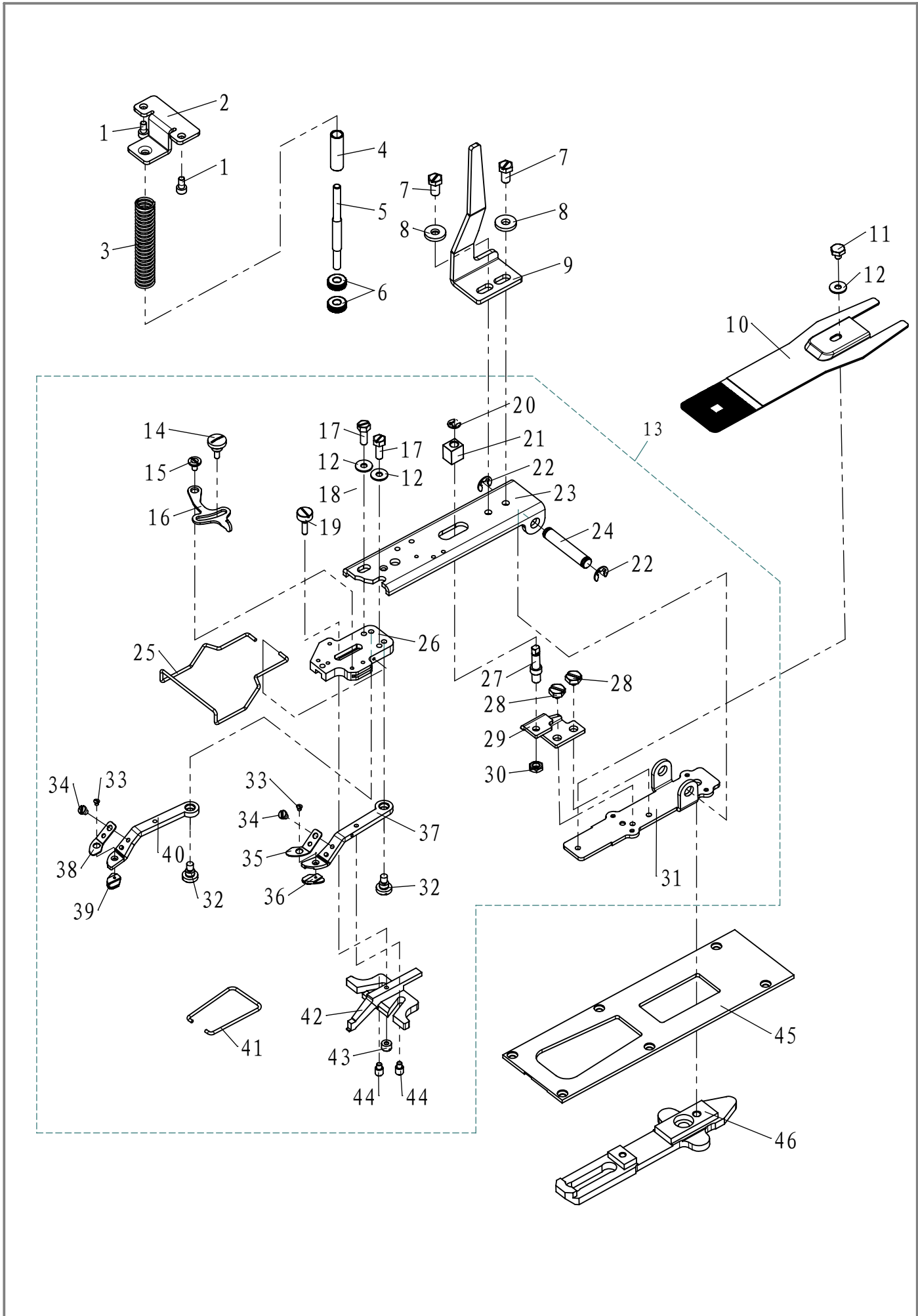


## 07 附件 ACCESSORIE PART COMPONENTS

| 序号 | 图号              | 名称             | NAME OF PARTS             | 数量 |
|----|-----------------|----------------|---------------------------|----|
| 1  | 411.01-06       | 后罩壳            | MOTOR COVER               | 1  |
| 2  | 103.20-52       | 机头罩            | DUST-PROOF CAP            | 1  |
| 3  | 05-043080900-1  | 平垫圈            | WASHER                    | 2  |
| 4  | 01-404000823-1  | 十字一字槽盘头螺钉 M4X8 | SCREW M4 L=8              | 4  |
| 5  | 421.12-21-01    | 安全板            | SAFETY PLATE              | 1  |
| 6  | 421.12-21-02    | 安全板安装架         | SAFETY PLATE BASE         | 1  |
| 7  | 411.07-03       | 机壳支撑杆          | HEAD SUPPORT BAR          | 1  |
| 8  | 103.20-50       | 注油壶组件          | OILER                     | 1  |
| 9  | 421.17-07-00    | 回油壶组件          | OIL CAN                   | 1  |
| 10 | 20-4291632-3    | 自攻螺钉2.9×16     | WOOD SCREW                | 3  |
| 11 | 103.20-04-01    | 外六角扳手(8-9)     | WRENCH                    | 1  |
| 12 | 01-405001023-1  | 十字一字槽螺钉 M5×10  | SCREW M5 L=10             | 4  |
| 13 | A-1100-QD007    | 塑料卡钉           | PLASTIC BUTTON            | 5  |
| 14 | CB01-16-A00     | 电线扎紧带          | CABLE BAND                | 5  |
| 15 | 411.07-08       | 内六角扳手4         | HEXAGONAL SPANNER S4      | 1  |
| 16 | 411.07-09       | 内六角扳手5         | HEXAGONAL SPANNER S5      | 1  |
| 17 | 30016226        | 注射器            | INJECTING SYRINGE         | 1  |
| 18 | 201.22-07-06-16 | 1.5mm带柄螺丝刀     | HEXAGONAL SPANNER S1.5    | 1  |
| 19 | 419.01-04       | 机针             | NEEDLE DP×17              | 5  |
| 20 | 411.04-12       | 小梭芯            | BOBBIN                    | 1  |
| 21 | 411.07-04       | 橡胶垫            | FRAME SUPPORT RUBBER      | 2  |
| 22 | 01-506006024-1  | 内六角圆柱头螺钉 M6×60 | SCREW M6 L=60             | 4  |
| 23 | 421.12-20-03    | 翻转脚夹紧圈         | BED HINGE                 | 2  |
| 24 | 411.07-05       | 翻转脚垫           | BED HINGE RUBBER          | 2  |
| 25 | 05-064151902-5  | 平垫片            | WASHER                    | 4  |
| 26 | 03-606000500-1  | 六角螺母M6-5       | NUT M6                    | 8  |
| 27 | 421.12-20-01    | 翻转脚            | HINGE RUBBER              | 2  |
| 28 | 101.12-01       | 过线架组件          | THREAD STANDING           | 1  |
| 29 | 411.07-11-02    | 附件纸箱           | ACCESSORIES BOX           | 1  |
| 30 | 411.07-11-03    | 附件箱挡板          | BAFFLE OF ACCESSORIES BOX | 1  |
| 31 | 411.07-12       | 说明书            | INSTRYCTION MANUAL        | 1  |
| 32 | 411.07-13       | 零件样本           | PARTS BOOK                | 1  |
| 33 | 411.07-14       | 装箱清单           | ACCESSORIES LISTING       | 1  |



| 序号 | 图号             | 名称                     | NAME OF PARTS                  | 数量 |
|----|----------------|------------------------|--------------------------------|----|
| 1  | 419.01-01      | 针杆曲柄                   | COUNTER_WEIGHT-B               | 1  |
| 2  | 419.01-02-00   | 挑线组件                   | NEEDLE BAR CRANK ROD ASM       | 1  |
| 3  | 14-619/8-2Z    | 轴承(单边凸缘) 698LB (挑线杆轴承) | BEARING                        | 2  |
| 4  | 419.01-02-01   | 挑线杆                    | THREAD TAKE UP LEVER           | 1  |
| 5  | 421.02-10-02   | 挑线杆过线套                 | THREAD PASS BUSH               | 1  |
| 6  | 14-619/4-2Z    | 轴承619-4 (挑线连杆轴承)       | BEARING                        | 1  |
| 7  | 421.02-11      | 挑线连杆                   | THREAD TAKE UP CRANK           | 1  |
| 8  | 419.01-02-02   | 挑线曲柄                   | NEEDLE ROD CRANK B             | 1  |
| 9  | 421.02-17-01   | 针杆连杆                   | NEEDLE BAR CRANK ROD           | 1  |
| 10 | 14-619-8-2Z    | 轴承619-8-2Z (针杆连杆轴承)    | BEARING                        | 1  |
| 11 | 421.02-17-02   | 针杆连杆轴套                 | NEEDLE BAR CRANK ROD METAL     | 1  |
| 12 | 421.02-16      | 挑线曲柄左旋螺钉               | LEFT SCREW                     | 1  |
| 13 | 01-506001824-1 | 内六角圆柱头螺钉M6×18          | SCREW M6 L=18                  | 1  |
| 14 | 419.01-05      | 抬压脚摆动臂                 | CONNECTING ARM B               | 1  |
| 15 | 419.01-06      | 抬压脚连杆套                 | STOP MOTION TRIPPING LEVER CAM | 1  |
| 16 | 419.01-07      | 抬压脚连杆套轴位螺钉             | HINGE SCREW D=7.94 H=12.7      | 1  |
| 17 | 419.01-04      | 机针                     | NEEDLE                         | 1  |
| 18 | 419.01-08-00   | 钉扣机针板剪刀组件              | MOVING KNIFE WASHER            | 1  |
| 19 | 419.01-12      | 拨线勾                    | WIPER ASM                      | 1  |
| 20 | 419.01-11      | 拨线簧                    | WIPER THREAD CATCH SPRING      | 1  |
| 21 | 02-506560321-1 | 紧定螺钉SM3/32"-56         | SCREW SM1/8"-56 L=2.8          | 2  |

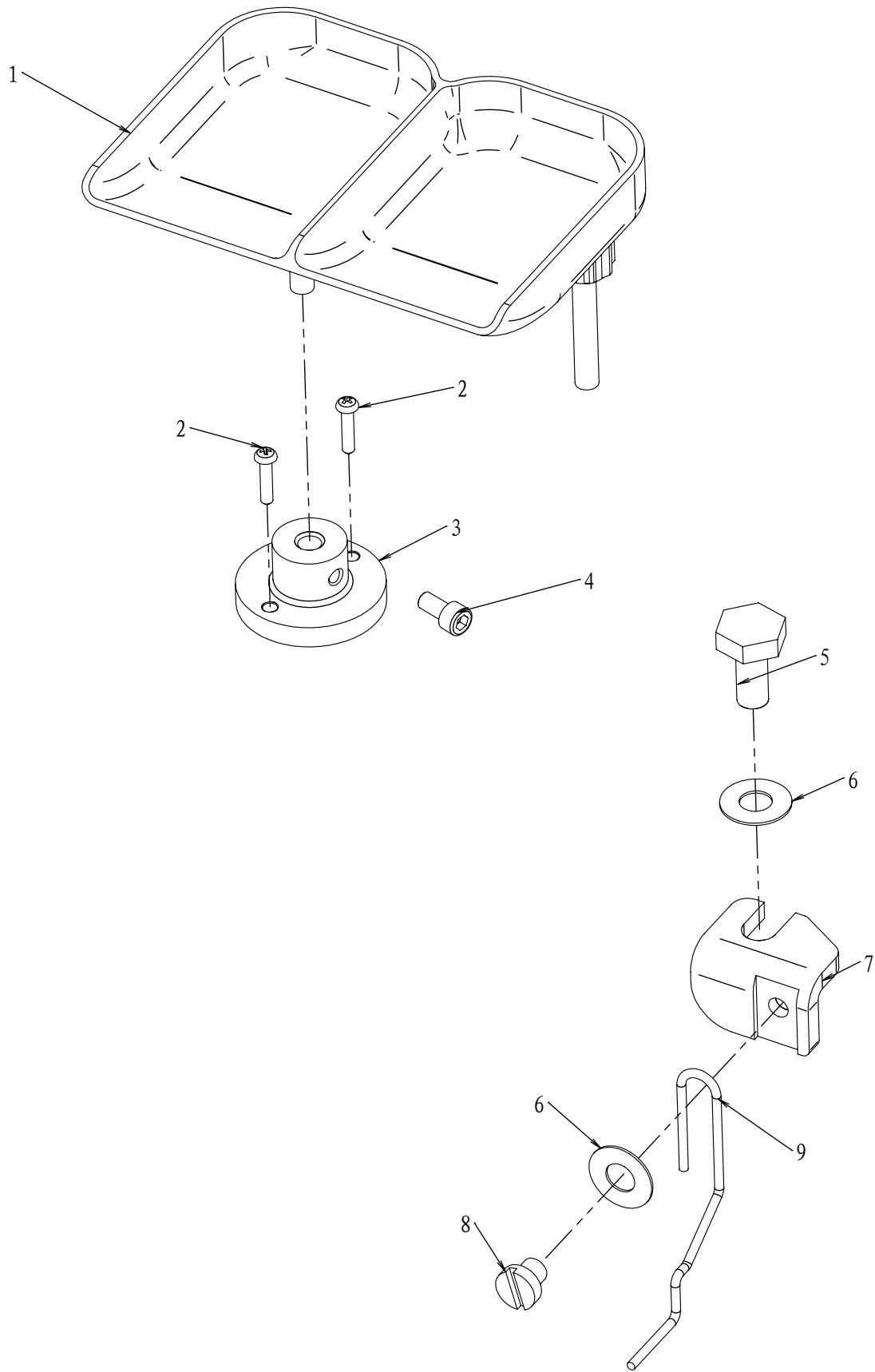


## HK2903专用部件(2)

## EXCLUSIVE PARTS FOR HK2903(2)

| 序号 | 图号             | 名称                  | NAME OF PARTS                  | 数量 |
|----|----------------|---------------------|--------------------------------|----|
| 1  | 01-504000824-1 | 内六角圆柱头螺钉M4×8        | SCREW M4 L=8                   | 2  |
| 2  | 419.02-01      | 抬压脚上支撑架             | ACCEPT PLATE, UPPER            | 1  |
| 3  | 419.02-02      | 调节杆弹簧               | PRESSURE SPRING                | 1  |
| 4  | 419.02-03      | 调节杆套                | SLEEVE                         | 1  |
| 5  | 419.02-04      | 调节杆                 | ADJUSTING SHAFT                | 1  |
| 6  | 419.02-05      | 调节杆螺帽               | THREAD TENSION NUT             | 2  |
| 7  | 02-715281121-1 | 螺钉SM15-64×28 L=11   | SCREW 15/64-40 L=11            | 2  |
| 8  | 05-061251500-1 | 平垫圈6.1×15.0×2.5     | WASHER 6.1×15.2×2.5            | 2  |
| 9  | 419.02-06      | 抬压脚连动板              | MOVING PLATE                   | 1  |
| 10 | 419.02-07      | Y向运动压板              | PRESSURE PLATE                 | 1  |
| 11 | 02-711400525-1 | 螺钉11×64-40 L=5.3    | SCREW 11×64-40 L=5.3           | 1  |
| 12 | 05-045101200-1 | 平垫圈5×10.5×1         | WASHER 5×10.5×1                | 3  |
| 13 | 419.02-08      | 夹紧纽扣组件              | VERY SMALL CLAMP MECHANISM ASM | 1  |
| 14 | 419.02-08-01   | 纽扣大小调节螺钉            | CLAMP SCREW A                  | 1  |
| 15 | 419.02-08-02   | 锁紧螺钉                | HINGE SCREW D=5.50 H=1.8       | 1  |
| 16 | 419.02-08-03   | 调节扳手                | SNAP FASTENER CLAMP STOP LEVER | 1  |
| 17 | 02-712321421-1 | 螺钉 3/16-32 L=13.5   | SCREW 3/16-32 L=13.5           | 2  |
| 18 | 419.02-08-04   | 压脚锁紧板               | PRESSER PLATE                  | 1  |
| 19 | 419.02-08-05   | 调节螺丝                | HINGE SCREW D=5.5 H=3          | 1  |
| 20 | 06-0400809-1   | 安装板导向轴挡圈            | SNAP RING, FOR CONNECTING ROD  | 1  |
| 21 | 419.02-08-06   | 滑块                  | SLIDE BLOCK                    | 1  |
| 22 | 06-0600812-1   | 安装轴挡圈               | E-RING 7                       | 2  |
| 23 | 419.02-08-07   | 夹头安装板               | PICK-UP FOOT INSTALLING BASE   | 1  |
| 24 | 419.02-08-08   | 安装轴                 | INSTALLING SHAFT               | 1  |
| 25 | 419.02-08-09   | 护指器                 | FINGER GUARD                   | 1  |
| 26 | 419.02-08-10   | 夹头底座                | PICK-UP FOOT INSTALLING BASE   | 1  |
| 27 | 419.02-08-11   | 安装板导向轴              | STATIONING BLOCK SHAFT         | 1  |
| 28 | 02-711400421-1 | 螺钉 11/64-40 L=4     | SCREW 11/64-40 L=4             | 2  |
| 29 | 419.02-08-12   | 安装板导向支撑架            | SUPPORT PLATE                  | 1  |
| 30 | 04-615280300-1 | 螺帽 15/64-28         | NUT 15/64-28                   | 1  |
| 31 | 419.02-08-13   | 安装支架                | PICK-UP INSTALLING BASE        | 1  |
| 32 | 419.02-08-14   | 连接轴位螺钉              | HINGE SCREW D=6.35 H=3.9       | 2  |
| 33 | 02-106560321-1 | 压脚垫块螺钉 D=6.35 H=3.9 | SCREW 3/32-56 L=3              | 2  |
| 34 | 02-509400421-1 | 开槽圆柱头螺钉SM9 / 64×40  | SCREW 9 / 64-40 L=3.5          | 2  |
| 35 | 419.02-08-15   | 右弹簧垫片               | SPRING, LEFT                   | 1  |
| 36 | 419.02-08-16   | 右平板夹                | PLATE L, L                     | 1  |
| 37 | 419.02-08-17   | 右夹紧杆                | SMALL CLAMP JAW LEVER, L       | 1  |
| 38 | 419.02-08-18   | 左弹簧垫片               | SPRING RIGHT                   | 1  |
| 39 | 419.02-08-19   | 左平板夹                | PLATE L, R                     | 1  |
| 40 | 419.02-08-20   | 左夹紧杆                | SMALL CLAMP JAW LEVER ASM, L   | 1  |
| 41 | 419.02-08-21   | 纽扣夹紧弹簧              | BUTTON CLAMP JAW LEVER SPRING  | 1  |
| 42 | 419.02-08-22   | 纽扣夹紧滑块              | BUTTON CLAMP SLIDE             | 1  |
| 43 | 419.02-08-23   | 调节螺母                | NUT                            | 1  |
| 44 | 419.02-08-24   | 纽扣调节导向螺钉            | BUTTON CLAMP STOP PIN          | 2  |
| 45 | 419.02-09      | 盖板                  | CLOTH FEED PRESSER PLATE B     | 1  |
| 46 | 419.02-10-00   | 摆动架组件               | CLOTH FEED PLATE               | 1  |





| 序号 | 图号             | 名称               | NAME OF PARTS        | 数量 |
|----|----------------|------------------|----------------------|----|
| 1  | 419.03-03      | 纽扣托盘             | BUTTON TRAY ASM      | 1  |
| 2  | 20-4421632-3   | 自攻螺钉             | WOOD SCREW           | 2  |
| 3  | 419.03-04      | 纽扣托盘固定座          | BUTTON TRAY BASE     | 1  |
| 4  | 01-506001224-1 | 内六角圆柱头螺钉M6×12    | SCREW M6 L=12        | 1  |
| 5  | 02-709400825-1 | 螺钉SM9/64"-40 L=8 | SCREW SM9/64"-40 L=8 | 1  |
| 6  | 05-037030801-1 | 垫片               | WASHER               | 2  |
| 7  | 419.03-02-01   | 纽扣挑线簧安装支架        | INSTALLING BASE      | 1  |
| 8  | 02-508442921-1 | 螺钉               | SCREW                | 1  |
| 9  | 419.03-02-02   | 纽扣挑线簧            | BUTTON RISING BAR    | 1  |



富山IoT



微信公众号



抖音官方号

## 上海富山精密机械科技有限公司

HIKARI (SHANGHAI) PRECISE MACHINERY SCIENCE AND TECHNOLOGY CO., LTD

邮箱/E-mail: hikari@chinahikari.com

网址/Web: www.chinahikari.com

传真/Fax: (00)86-21-67311311

电话/Tel: (00)86-21-67311111 ( 转外贸部/ext .Foreign Trade Dept )

上海市金山区朱泾镇工业园区中达路800号

NO.800, ZHONGDA ROAD, ZHUJING INDUSTRIAL ZONE,

JINSHAN DISTRICT, SHANGHAI CHINA



QUANTITY ATTESTATION  
ISO9001质量体系认证